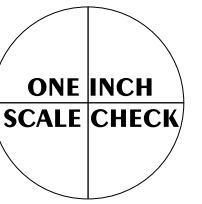




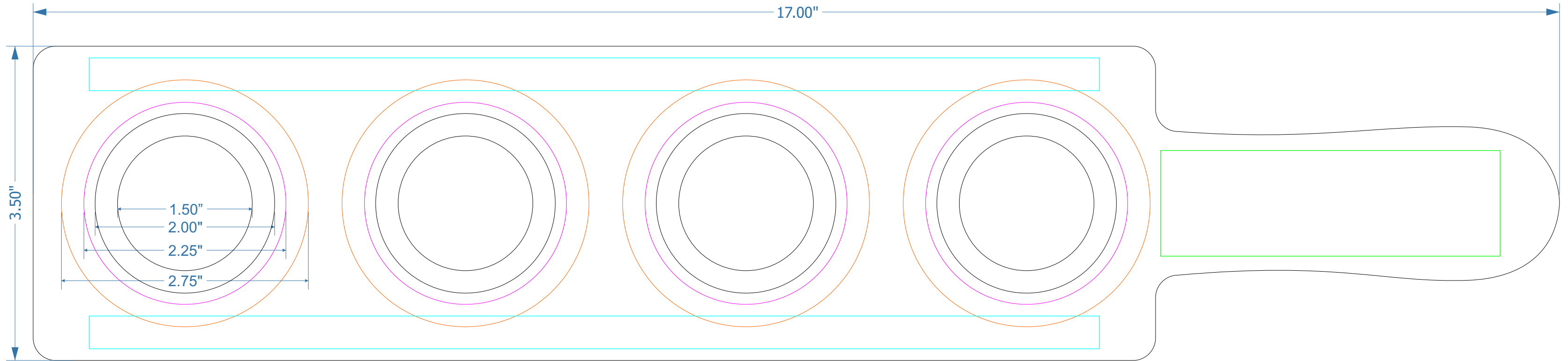
# ART TEMPLATE

Model TP-170300

Actual Size  
100%



**4.5" sq. in. of copy area included in product price.**



### **NOTES:**

Normal production tolerances are +/- 1/16" (.063").

The **red lines** are **laser cut**, the **black lines** are **machine milled**.

The **Cyan lines** are the maximum available copy area.

The **Green lines** are the area(s) included in the product price.

Exceeding the green area, or using more than one green area, will incur additional run charges. If only a green line appears then the maximum area and the included area are the same.

### **For laser engraving:**

black and white artwork should fit within the cyan or green lines.  
Vector graphics are recommended.

### **For 4-color process:**

For PMS colors we use the Pantone® color bridge. You may specify spot colors or PMS spot colors or convert all colors to the CMYK or RGB color palettes. Due to the natural color variances of the wood, some process colors may vary slightly. Vector graphics are recommended.

### **Pocket Size**

We offer the following standard pocket sizes:

**2-Tier depth:** 1.50 + 2.0" diameter

**Single depth:** 2.0", 2.25" and 2.75" diameter.

2" = black, 2.25" = magenta, 2.75" = orange

This may affect max copy area.